



Accurate Thermal Systems LLC  
 4104 Sylon Blvd  
 Hainesport, NJ 08036  
[www.accuthermal.com](http://www.accuthermal.com)  
 Ph: 609-326-3190  
 Fax: 862-229-0407  
[sales@accuthermal.com](mailto:sales@accuthermal.com)

## Specifications

Airflow @ Static Pressure	295 cfm @ 1 in. of H <sub>2</sub> O 505 cfm @ 1/4 in. of H <sub>2</sub> O
Volume	55 dB @ 15 ft.
Drive Type	Direct
Motor Speed	1,750 rpm
Number of Speeds	1
Power	1/4 hp
Outlet Diameter	6"
Outlet Shape	Round
Inlet Diameter	6"
Inlet Shape	Round
Wheel Diameter	6 1/4"
Overall Size	14 1/8" H x 12 1/4" W x 13 1/4" D
Power Source	Electric
Inverter Rated	No
Electrical Connection	Hardwire
Voltage	120/230V AC
Frequency	60Hz
Electrical Phase	Single
Current	5.0/2.5A
Motor Enclosure Type	Totally Enclosed
Temperature Range	0° to 150° F
Housing Material	Aluminum
Wheel Material	Steel
Mounting Fasteners Included	No
Mounting Hole Diameter	7/16"
RoHS	RoHS 3 (2015/863/EU) Compliant
REACH	REACH (EC 1907/2006) (01/19/2021, 211 SVHC) Compliant
DFARS	Specialty Metals COTS-Exempt
Country of Origin	United States
USMCA Qualifying	No
Schedule B	841459.9080
ECCN	EAR99

These blowers have an aluminum housing for spark resistance. Use them for equipment cooling, material conveying, drying, ventilating, and exhausting. All blowers have a totally enclosed motor enclosure, which can be used in dirty, dusty, and damp environments.

Note: Airflow depends on the resistance created by ductwork. This resistance, known as static pressure (SP), is measured in inches of water.



Accurate Thermal Systems LLC  
4104 Sylon Blvd  
Hainesport, NJ 08036  
[www.accuthermal.com](http://www.accuthermal.com)  
Ph: 609-326-3190  
Fax: 862-229-0407  
sales@accuthermal.com

## ATS1033 Fume extraction blower wiring instructions

For 220 to 240 volt operation (2.5 amps)

Wire 1 – Neutral (white or blue)

Wire 4 & 8 – Live (black or brown)

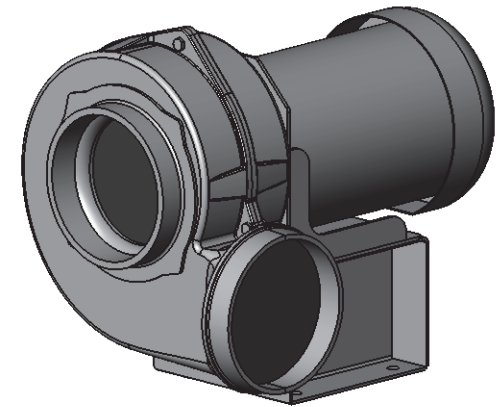
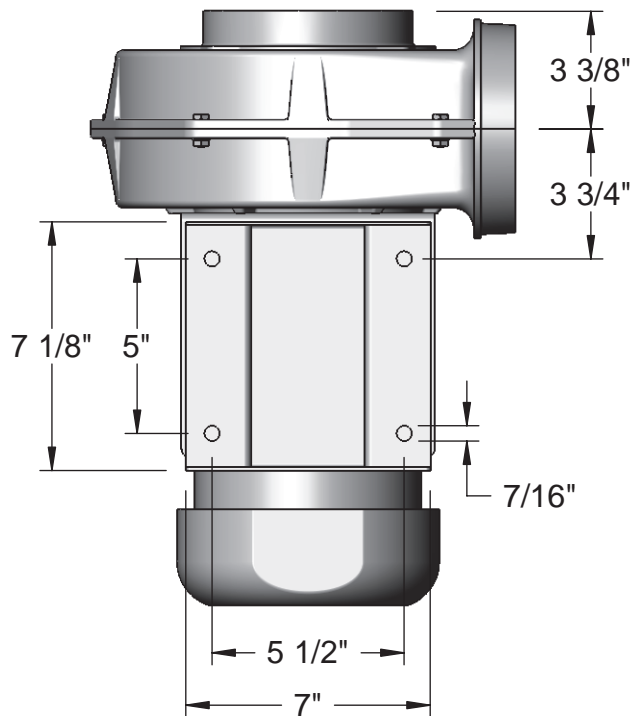
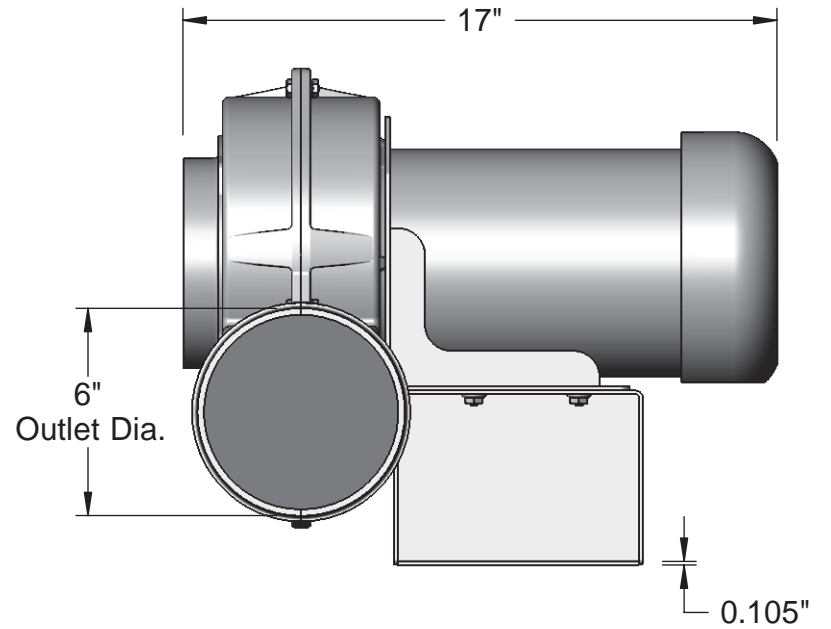
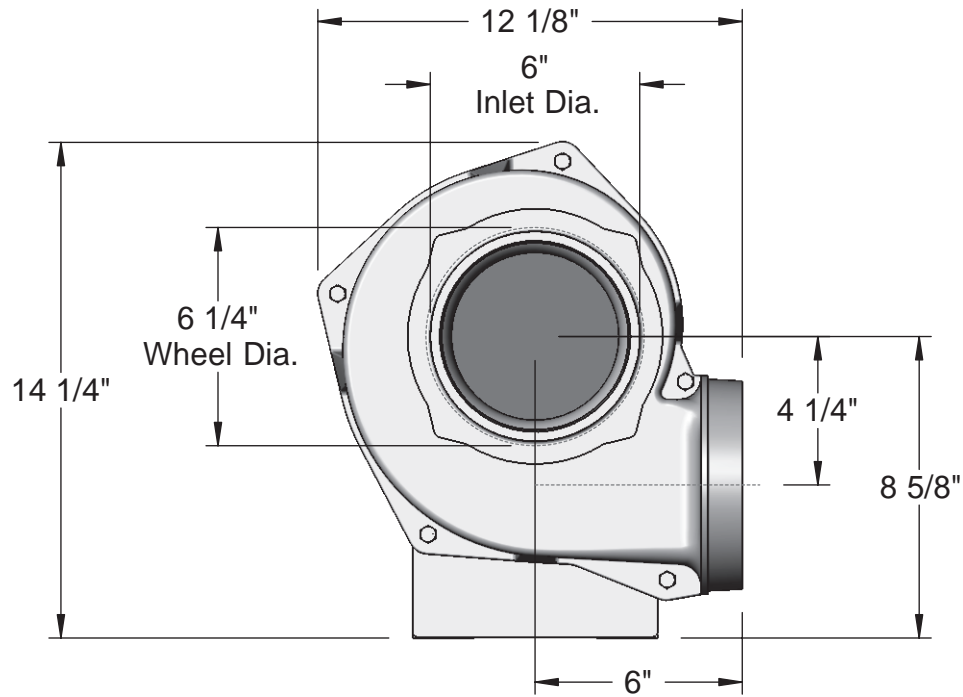
Wire 2, 3 & 5 connect together with a wire nut

For 120 volt operation (5 amps)

Wire 1, 3 & 5 – Neutral (white or blue)

Wire 2, 4 & 8 – Live (black or brown)

Be sure to secure your earth wire (green or green & yellow) to the green screw inside the electrical box so the blower is electrically bonded and safe.



	PART NUMBER	<b>ATS1033</b>
Accurate Thermal Systems LLC		Blower
Information in this drawing is provided for reference only.		